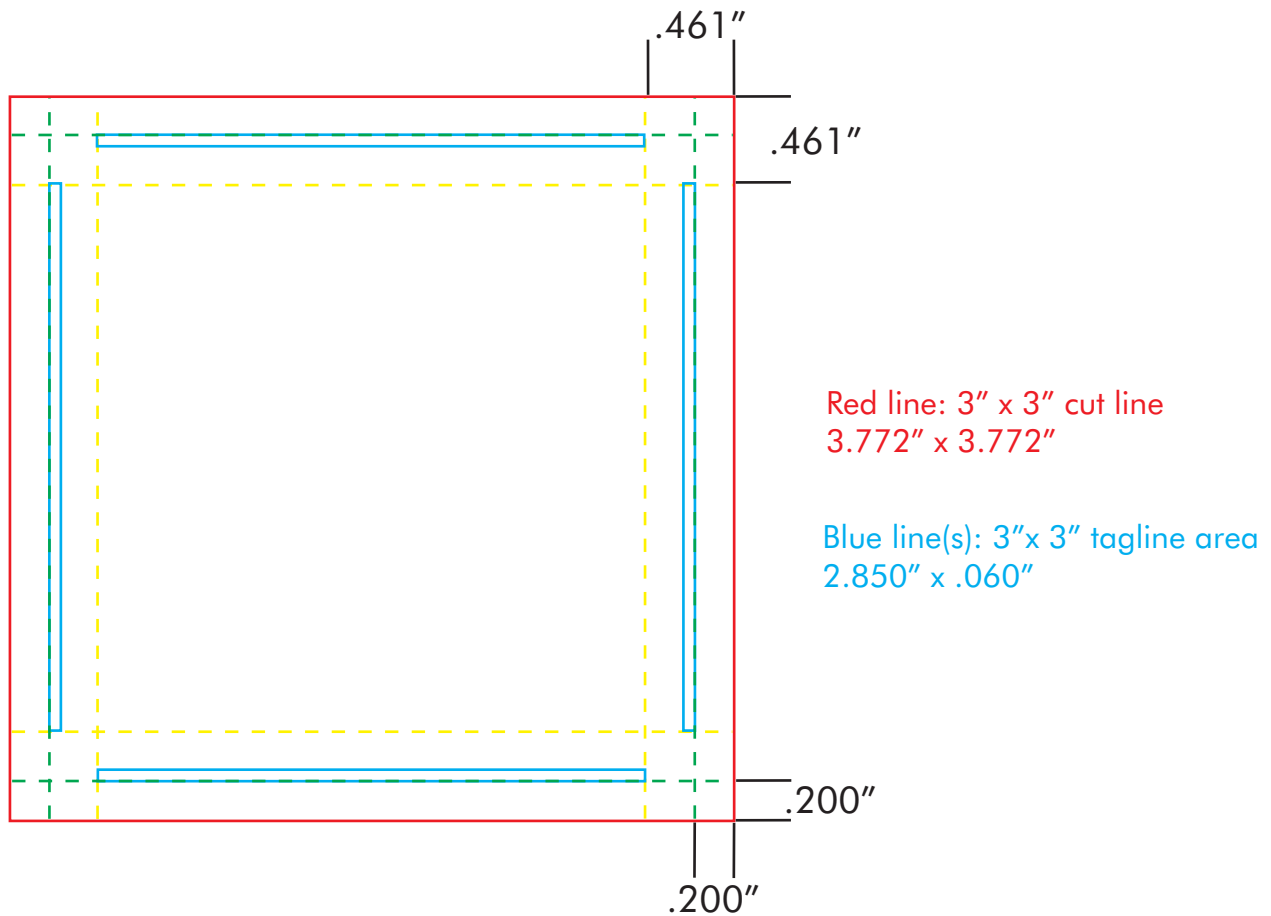


# 3" x 3" Button Tagline Layout



Depending on the Font you use, your font size can be from 5pt to 8pt. Adjust it as you wish to fit into the tagline area.

Note: For use with Tecre manual or electric button maker machine and 3" x 3" button making supplies.