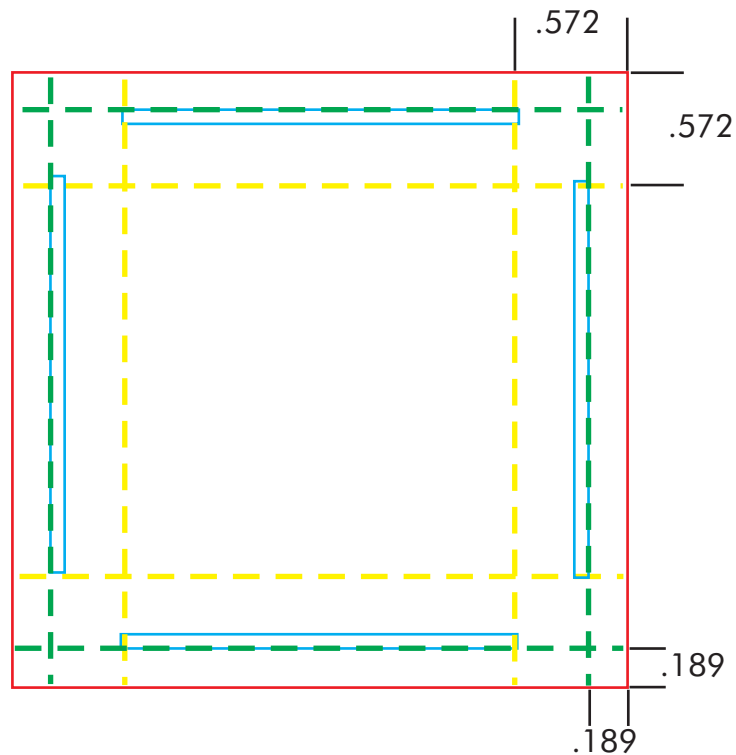


## 2-1/2" x 2-1/2" Button Tagline Layout



Red line: 2-1/2" x 2-1/2" cut line  
3.204"x 3.204"

Blue Line(s): 2-1/2" x 2-1/2" tagline area  
2.00" x .074"

Depending on the text you use, your font size can be from 5pt to 8pt. Adjust it as you wish to fit into the tagline area.

Note: For use with Tecre manual or electric button maker machine and 2-1/2" x 2-1/2" button making supplies.